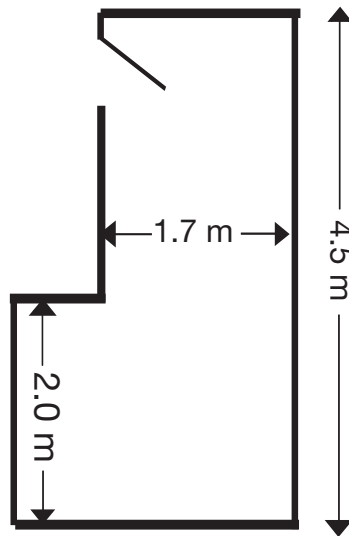


# Fornham Suite



**TOTAL AREA** 11m<sup>2</sup> 116 sq ft

**FACILITIES** Air-conditioning, high speed internet, shared kitchen, heating, electricity, cleaning, security alarm and 1 parking space are all included in the price.

**All inclusive monthly fee** **£350 + VAT**

Price includes: local authority rates, cleaning, electricity, gas, water, buildings insurance, buildings maintenance and decorating, Red-care security alarm, fire extinguishers, air-conditioning servicing.

Price also includes: reception services, telephone system extensions, handsets and lines, Voicemail, centralised fax service, mail sorting, use of photocopier, up to 2 dedicated direct 01284 lines at no extra charge<sup>†</sup>. Broadband internet & email access is included in the price on our shared 20MB high speed leased line.

<sup>†</sup> 2 telephone extensions. All BT line rental fees are included in the price. You pay for postage at cost. Telephone calls are charged out at the prevailing ASK House published rates. You pay for photocopies made. You pay for faxes received and sent from reception. To transfer one of your existing 01284 numbers over to our system (if available) costs £195 (this is the BT transfer fee).

## **ADDITIONAL SERVICES (see separate sheet for prices)**

These include: Board/meeting room hire, furniture, networking and server access, website hosting, secretarial services, colour laser printing and computer terminals.

NOTE: All dimensions/areas are approximate.  
All prices quoted are exclusive of VAT and correct as of April 2005.